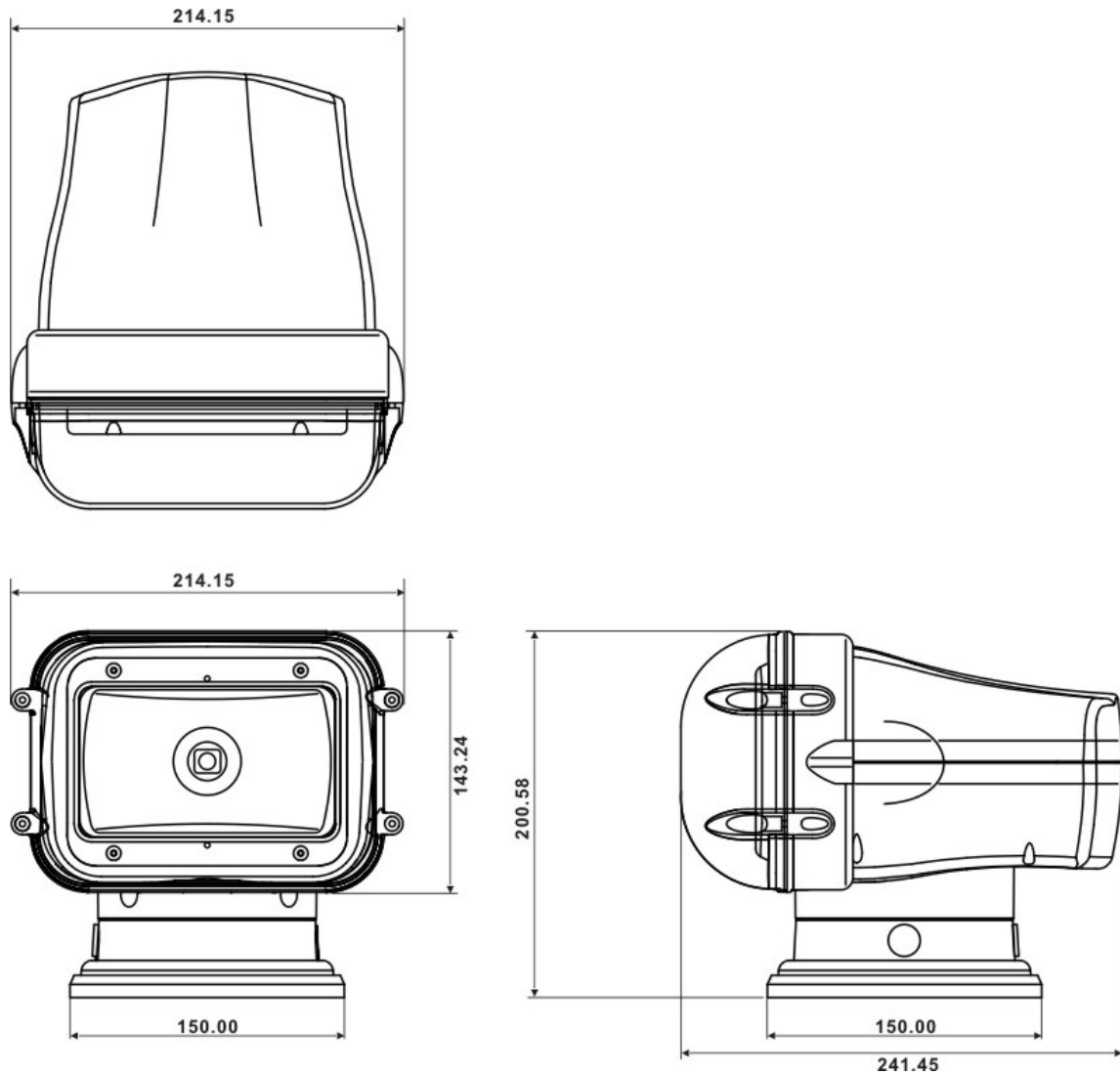


970 Serials Lights

Multi-Function Lights System

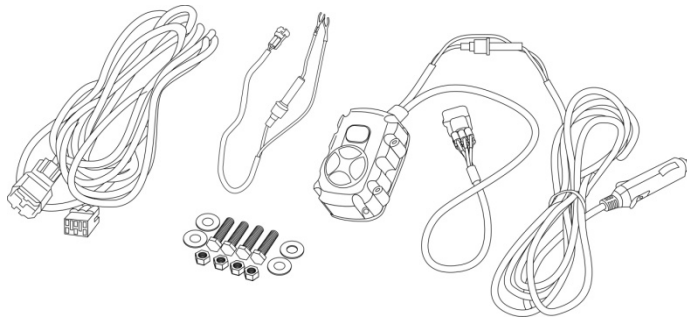


FEATURES

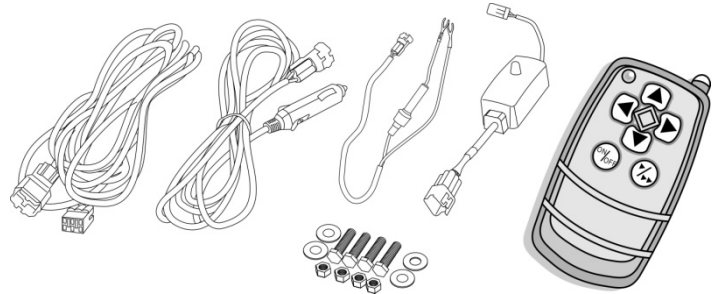
- ✧ Suitable for Marine & Vehicle
- ✧ Easy to install & Easily relearning Remote Unit
- ✧ Wide Range Rotation movement.
- ✧ Dual Function Control with Wire Control & Remote Control

SPECIFICATION

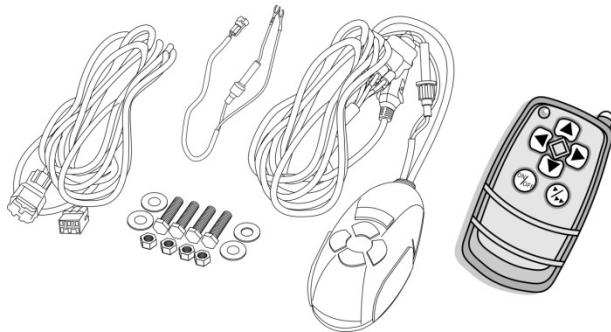
- ✧ Control Type:
 - Cable Control Type
 - Remote Control Type (75Meters/433.92MHz) / Halogen type with Flashing Function.
 - Dual Function Control Type(75Meters/433.92MHz)



CABLE CONTROL ACCESSORIES SET

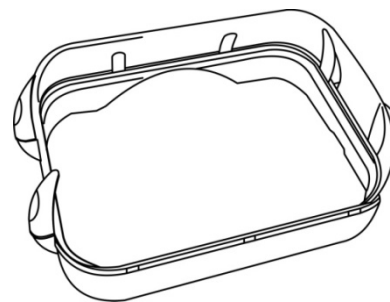


REMOTE CONTROL ACCESSORIES SET



DUAL CONTROL ACCESSORIES SET

- ✧ Housing Color:
 - Black ● White
- ✧ Housing Shape:
 - Square
- ✧ Housing Type:
 - Waterproof
 - Non-Waterproof
- ✧ Mount Type
 - Permanent
- ✧ Wire Installation:
 - Bottom Side Installation
 - Main-Body Side Installation

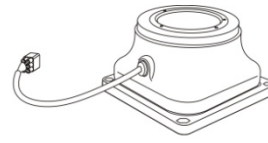


Waterproof Cover

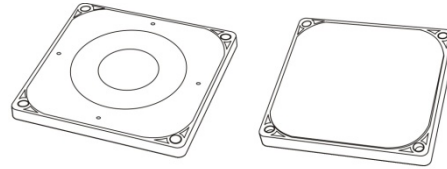


Bottom Side Installation Base - Accessories

- ✧ Bottom type:
 - Magnetic bottom
 - Non-Magnetic bottom



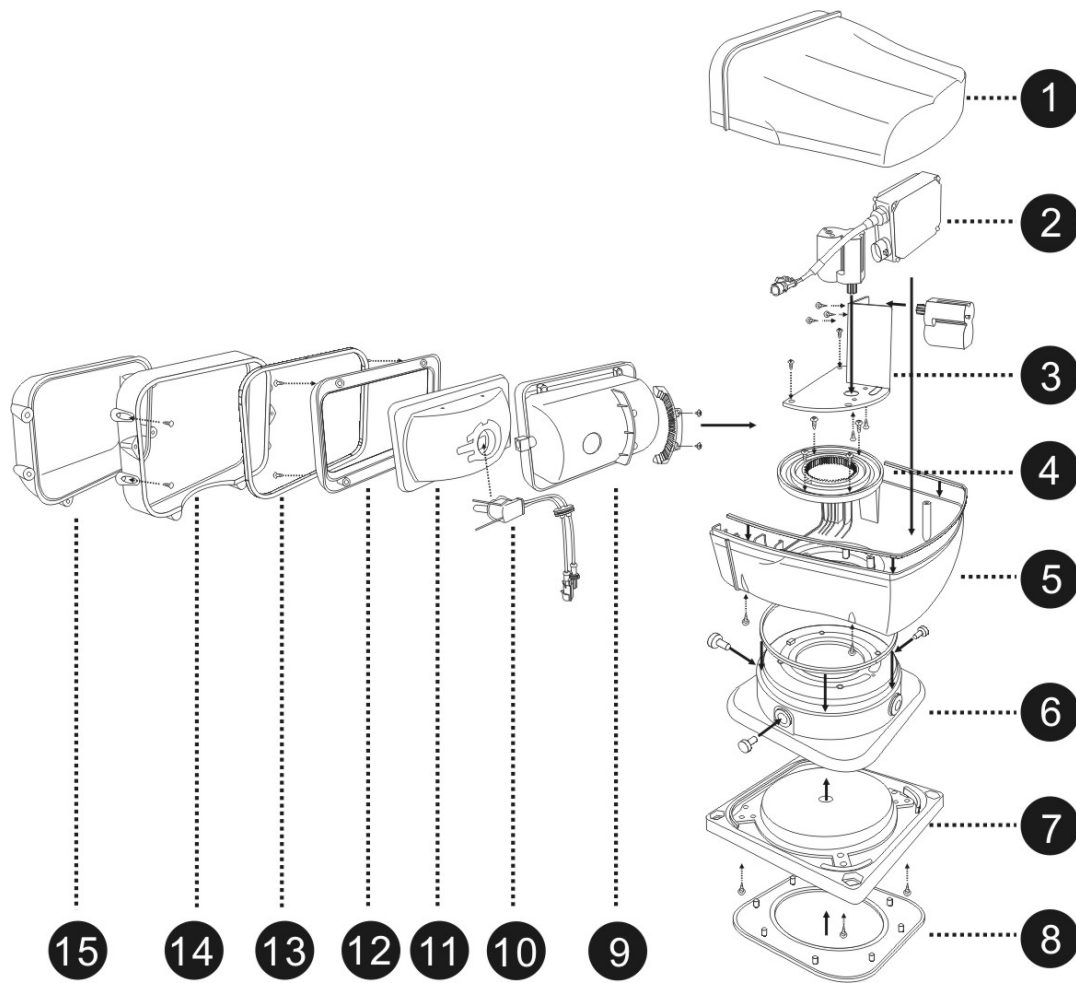
Main - Body Side Wire Installation



Permanent Base - Accessories

- ✧ Bulb Type:
 - Halogen H3 Base (**55W-12V / 70W-24V / HID35W-12V**)
- ✧ Power Type:
 - DC 12V (Halogen) (HID) / DC 24V (Halogen)
- ✧ Designation:
 - 120 ° Vertical Sweep / Standard Speed 10 Seconds / Slow Speed 17 Seconds / Dual Speed 10 & 17 Seconds
 - 420 ° Horizontal Movement / Standard Speed 32 Seconds / Slow Speed 56 Seconds / Dual Speed 32 & 56 Seconds
 - Main Wire 4 Meters

970 Serials Lights Exploded View



No.1: Upper Housing Part

No.2: Ballast (HID Type) Part

No.3: Motor Holding Structure Part

No.4: Rotation Gear Ring Part

No.5: Lower Housing Part

No.6: Base Upper Part

No.7: Base Middle Part

No.8: Base Lower Part

No.9: Horizontal Holding Plastic Part

No.10: Light Kit part (Halogen or HID)

No.11: Reflector

No.12: Waterproof Cover Part

No.13: Waterproof Cover Part

No.14: Waterproof Cover Part

No.15: Waterproof Cover Part-Front.

OPERATION:

1. When connecting all wire and done of it, plug in the cigarette jack or Y-Pin Cord to the DC Main Power ,the LED indicator on cigarette jack is light on as GREEN light.**(Make sure the power supply is on).**
2. After turn on power **five seconds**, press lamp on/off button once, the lamp will turn on steadily. At this time (Back Light as Blue), you can adjust the direction of the light beam by pressing the direction button.
3. To turn off the lamp, just press on/off once again.

REMOTE DUPLICATION:

---Make sure the connector to be connected (plug in), Not switch on

1. Turn off power then you plug in the connector , turn on power and press still both \triangle (up) and ∇ (down) button at the same time on the first remote **within five seconds**. If the light flashes once shortly, means the code learning completes.
2. For the second remote as spare, you have to press still both \triangle (up) and ∇ (down) button simultaneously on the second remote within two seconds right after finish duplicating the fist one. If the light flashes twice, means the code learning completes for the second remote.
3. If duplicated failed, please repeat (1). And to make sure the disconnect to be connected (plug in).

NOTE:

- * **Each 970 Serials Lights (Remote Type)** has one Receiver and one Transmitter. Once you enter Duplication Model, the original Transmitter code will doesn't exist.
- * Please note that you can only use up to 2 remotes (receiver just can accept 2 transmitter codes) for one main unit and they cannot use at same time.
If you plug in the connector Please don't duplicate over 2 seconds then it will exit Duplication Model automatically. Please pull out connector and plug in again to relearn again.
- In other words, 1 Remote control can be learned to be the one to controls many of Lights (10 sets).
- But Each Light, Just only can accepted 2 individual remote encoded with the receiver.

970 Serials Smart Light Option Chart

	Square Waterproof	
Light :	HID <input type="checkbox"/>	Halogen <input type="checkbox"/>
Line Out:	<input type="checkbox"/>	Side Out With Permanent Mount
	<input type="checkbox"/>	Down Out With Permanent Mount
Color:	Black <input type="checkbox"/>	White <input type="checkbox"/>
Bottom :	<input type="checkbox"/>	Magnetic
	<input type="checkbox"/>	Non Magnetic
Control :	<input type="checkbox"/>	Remote
	<input type="checkbox"/>	Cable
	<input type="checkbox"/>	Remote + Cable
Power:	<input type="checkbox"/>	12V DC
Power:	<input type="checkbox"/>	24V DC
SPEED:	<input type="checkbox"/>	Standard & Slow Speed
	<input type="checkbox"/>	Standard Speed