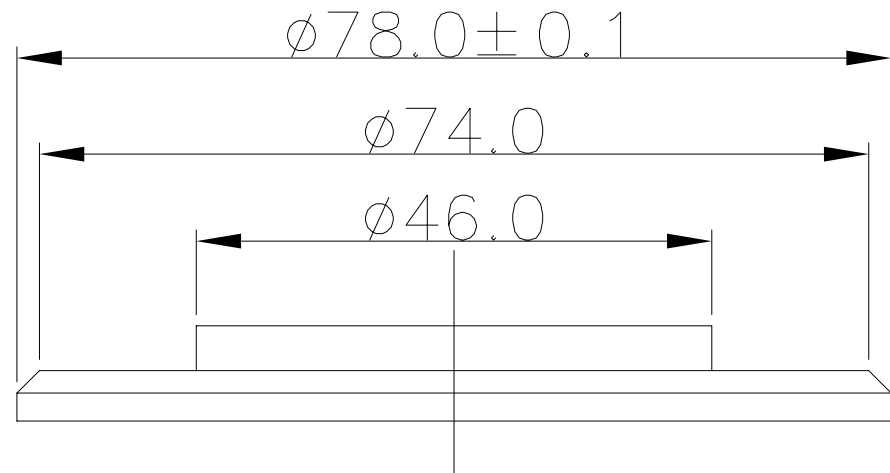
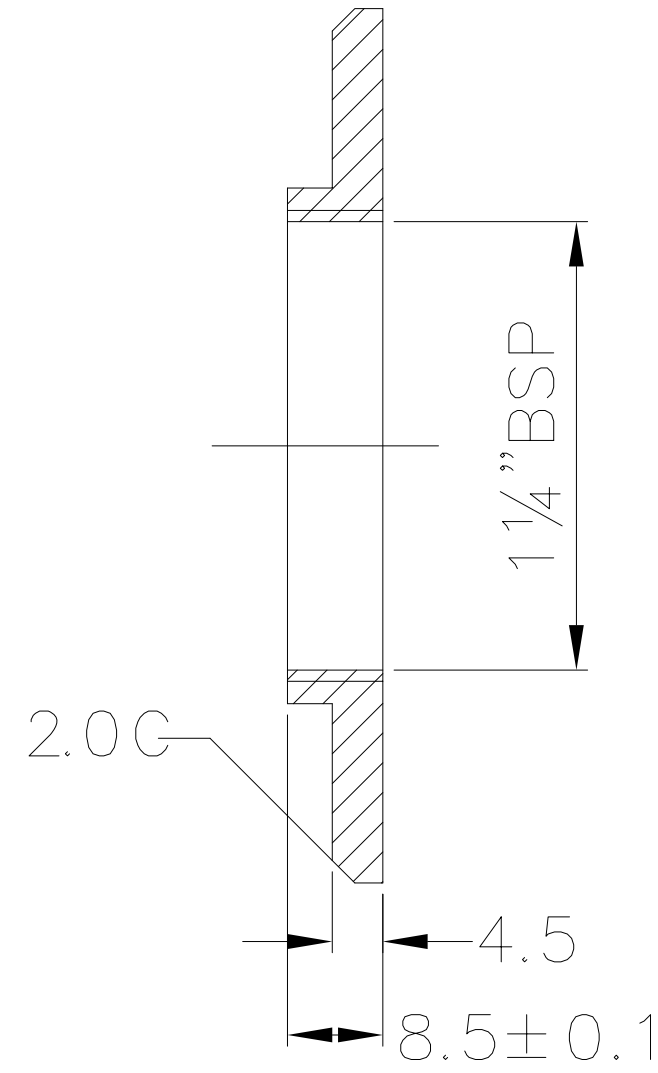
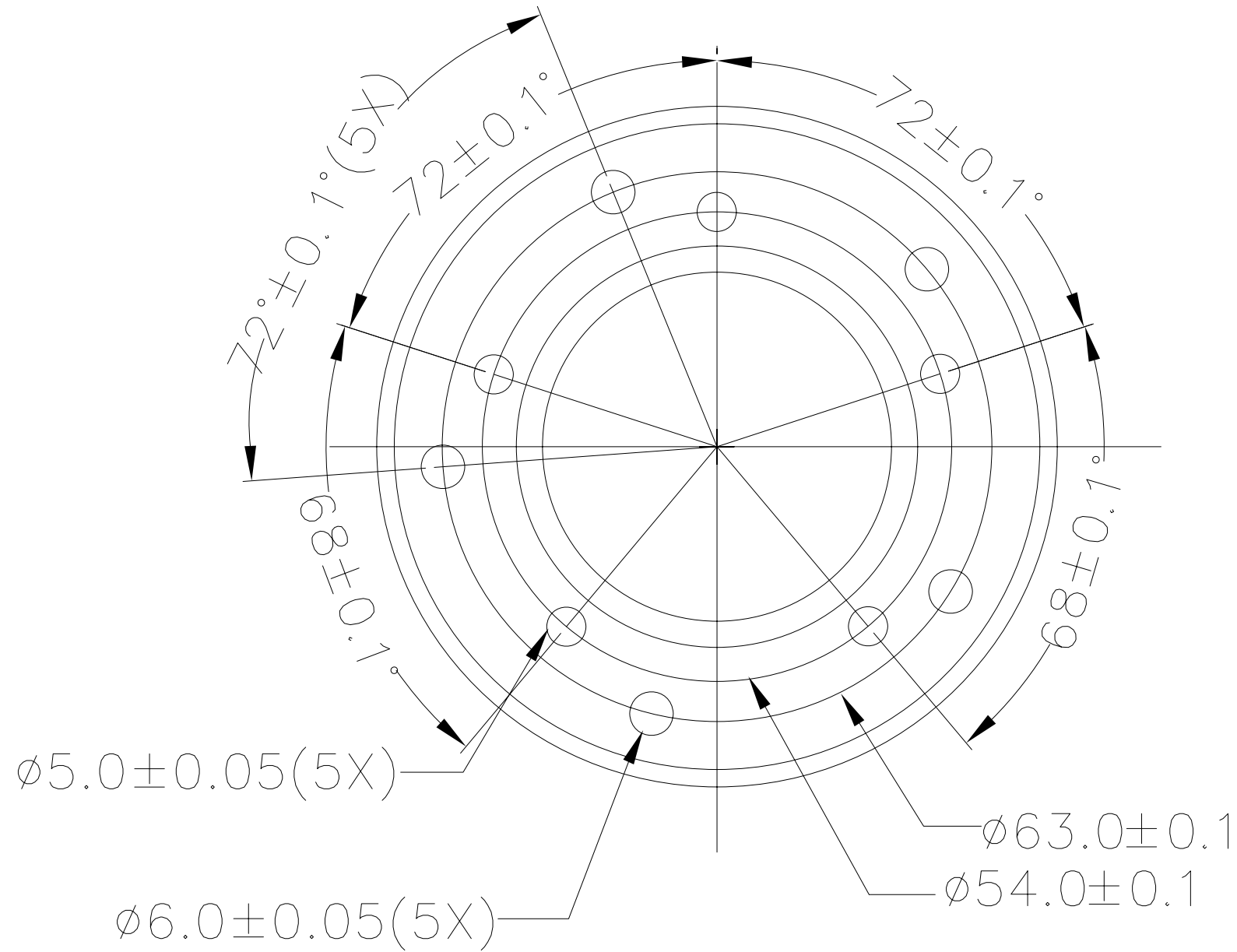


issue	date	change-ch.note no.	draw



All proprietary rights reserved by WEMA-SYSTEM AS. This drawing is not to be reproduced or in any way utilized for the manufacture of a component or unit herein illustrated, and may not be released to other parties, without written consent by WEMA-SYSTEM AS. Any infringement will be legally pursued. Site of court is Bergen, Norway.

PROJECT:		MATERIAL: PA66-GF30		
TOLERANCE:		SURFACE ROUGHNESS:	PROJ.	SCALE:
ISO 2768 m		$R_a = 12.5$		1:1
DATE:	Name	<h1>FL-2</h1>		
DRAW. 04.05.19	WINNIE			
CHECK				
STAND				
WEMA CHINA		DRAWING NO, ART. NO./REF:		ISSUE:
		163010		01
ORIGIN		REPLAC. FOR:	REPLAC. OF:	