

product specifications for:

Marinco Horns

Item #: 10035 (Retail Packaged)
11035 (Bulk Packaged)

Description

Mini Compact Electric Horn, 12V



Electrical Specifications

Max. Amp Draw: 3A
Voltage: 12V
Fundamental Frequency: 430±20 Hz
dB(A) Rating: 106 at 1 meter

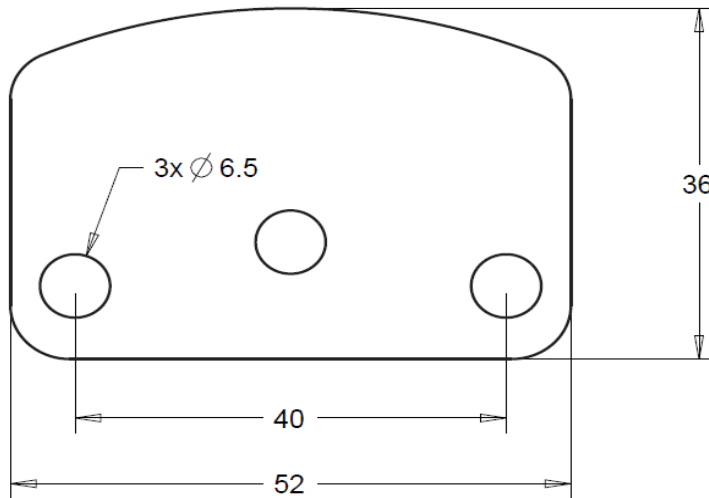
Material Specifications

Dimensions: 3" L x 3.25" W x 1.75" H
Body: 304 Stainless Steel
Gasket: Neoprene

Standards and Certifications

ABYC #A23

Mounting Pattern:



Dimensions in MM.
Drawing not to scale.

