

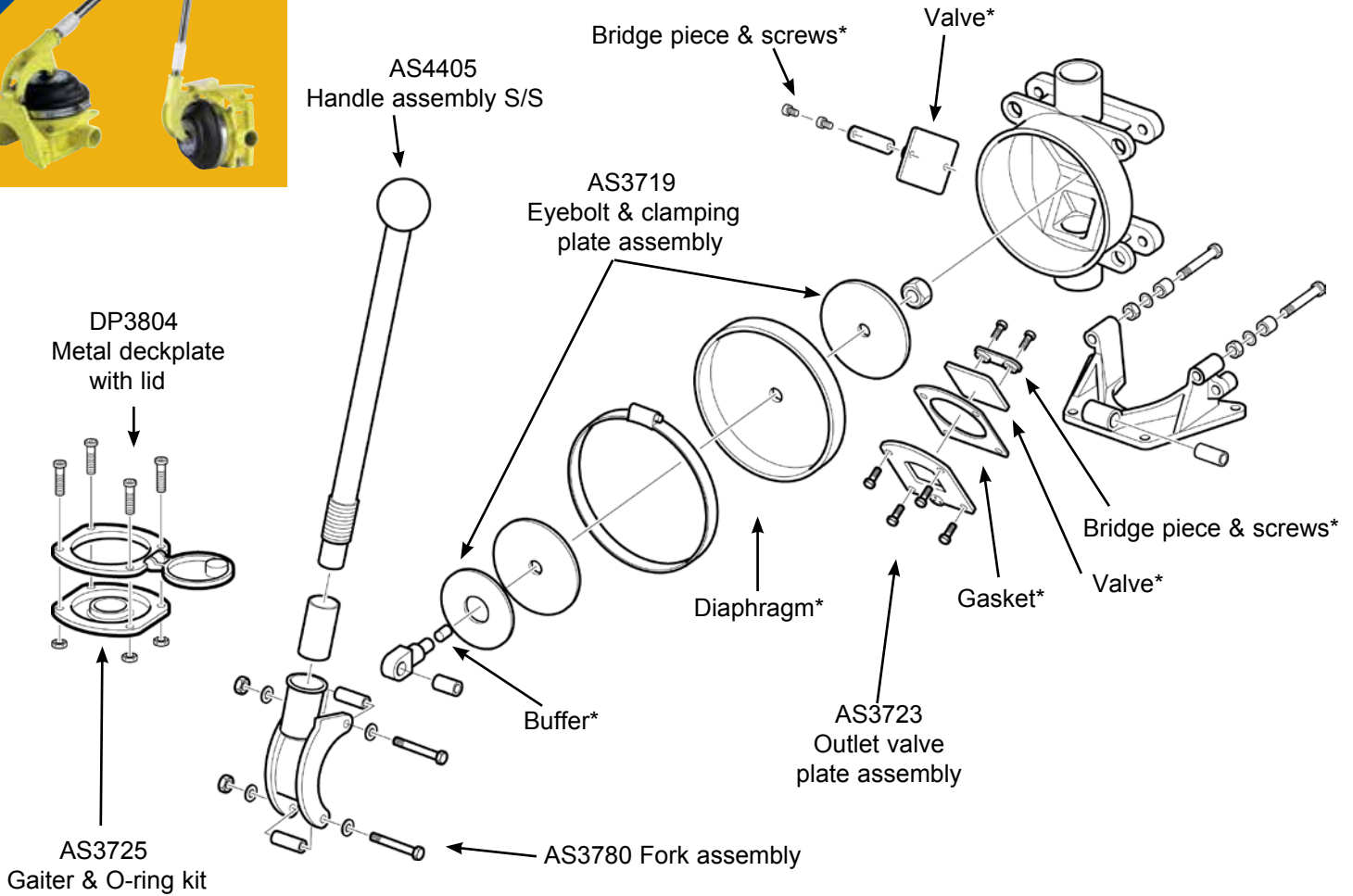
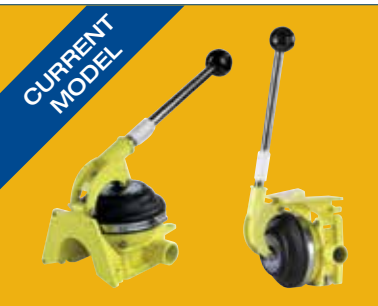


Manual Bilge Pumps

Gusher® 10 Mk 3

On Deck/Bulkhead: BP3708, Thru Deck/Bulkhead: BP3740 - Diecast Alloy Bilge Pump

Note* Contained in Service Kit AK3706 (Neoprene™) or AK3714 (Nitrile®)



Accessories

- DP3804 Alloy Deckplate
- DP8904 Plastic Deckplate with Lid
- AS4405 Spare Handle
- SB4222 Side Entry Strainer
- SB5865 Top Entry Strainer
- SF5425 1 1/2" Skin Fitting
- LV1215 1" / 1 1/2" Non Return Valve
- EB3488 1 1/2" Elbow

Service Kits

AK3706 Service Kit with Complete Set of Serviceable Parts for Whale Gusher® 10 Mk 2 & Mk 3 Pumps (Neoprene™) (See list below)

AK3714 Service Kit with Complete Set of Serviceable Parts for Whale Gusher® 10 Mk 2 & Mk 3 Pumps (Nitrile®)

Qty	Containing
2	Valve (Mk 2 pump only)
4	Screw 3/8"
4	Screw 1/2"
2	Bridge piece
1	Diaphragm
1	Buffer
2	Valve (Mk 3 pump only)
1	Gasket (Mk 3 pump only)

AS3719 Bushed Eyebolt & Clamping Plate Assembly

Qty	Containing
2	Clamping plate
1	Nut
1	Fulcrum bush
1	Eyebolt
1	Buffer
1	Label

AS3780 Fork Assembly

Qty	Containing
1	Fork
1	Insert fork
2	Bolt
2	Fulcrum sleeve
2	Nut
4	Washer
2	Fulcrum bush



Manual Bilge Pumps

Gusher® 10 Mk 3

On Deck/Bulkhead: BP3708, Thru Deck/Bulkhead: BP3740 -

Diecast Alloy Bilge Pump



AK3706



AK3714



AS3719



AS3723



AS3725



AS3780



AS4405



DP3804



DP8904



SB4222



SB5865



SF5425

Note: Cast body and mounting bracket are not available as service parts.

Service Kits (Continued)

AS3723 Outlet Valve Plate Assembly (Mk 3 only)

Qty	Containing
2	Screw
4	Screw
1	Bridge piece
1	Valve (Mk 3 Pump)
1	Valve plate
1	Gasket

AS3725 Gaiter Kit for Deckplates

Qty	Containing
1	Gaiter (for metal or plastic deckplate)
1	O-ring (for metal deckplate)