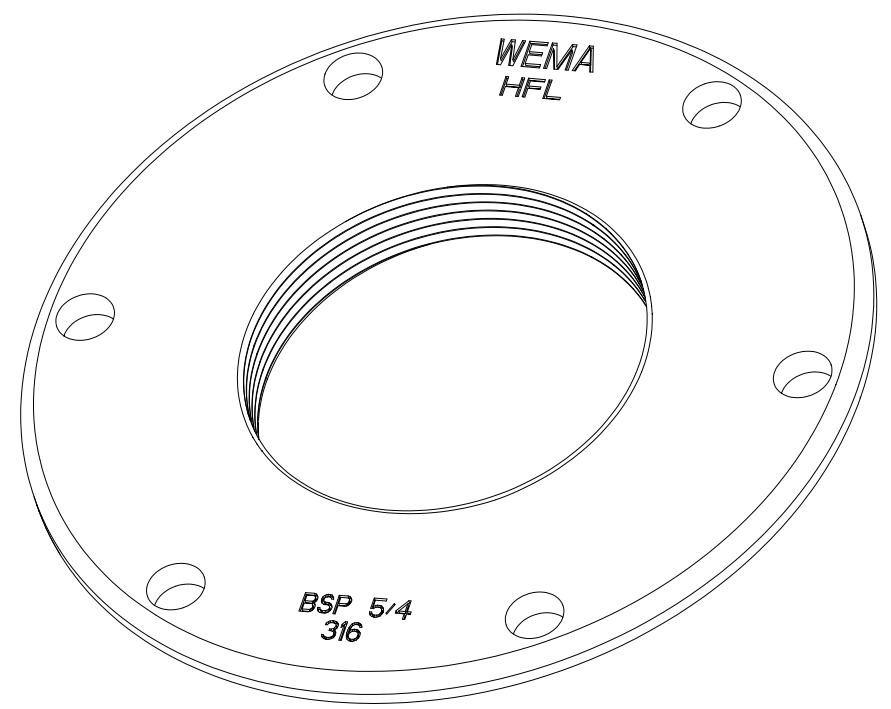
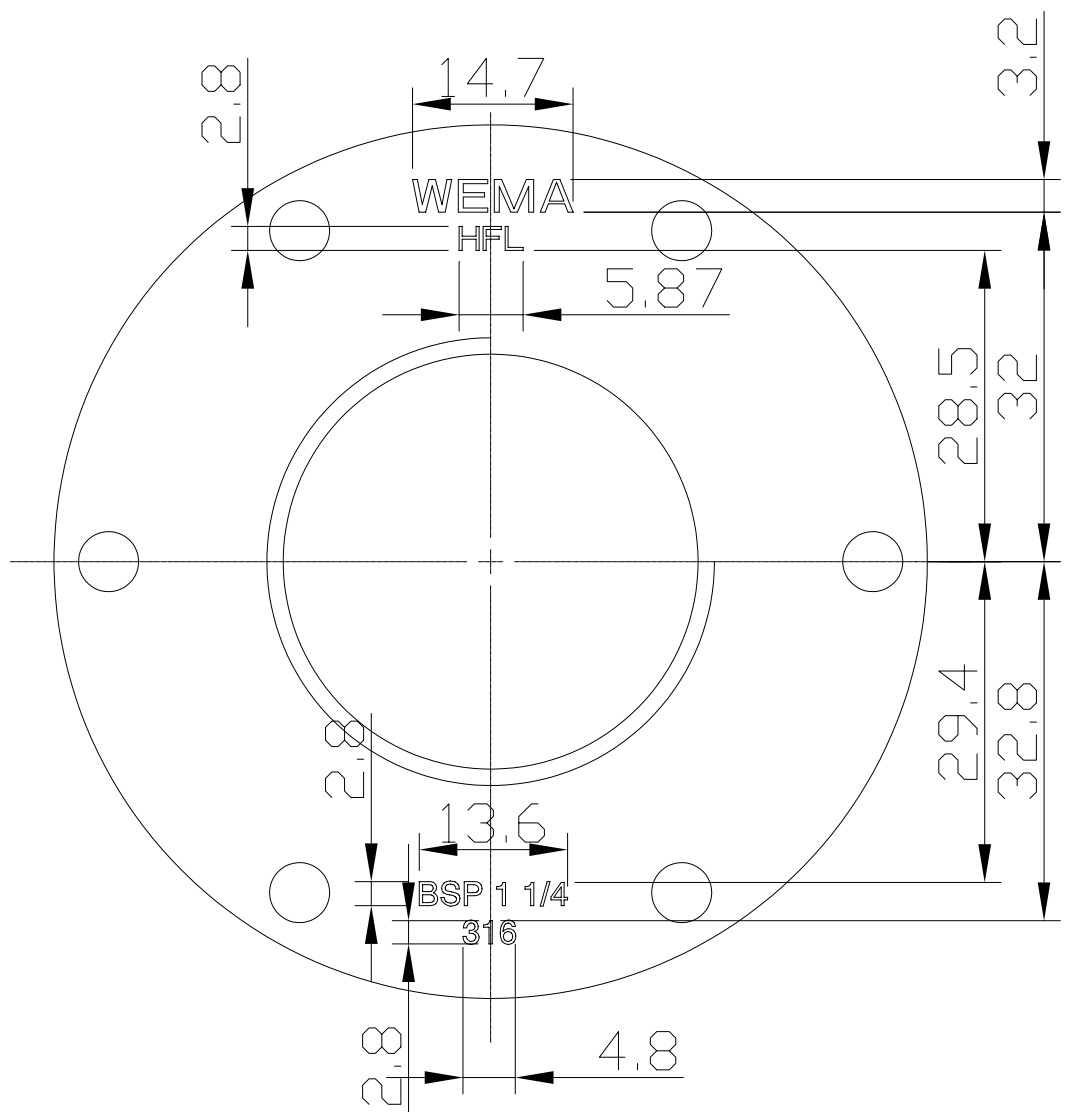
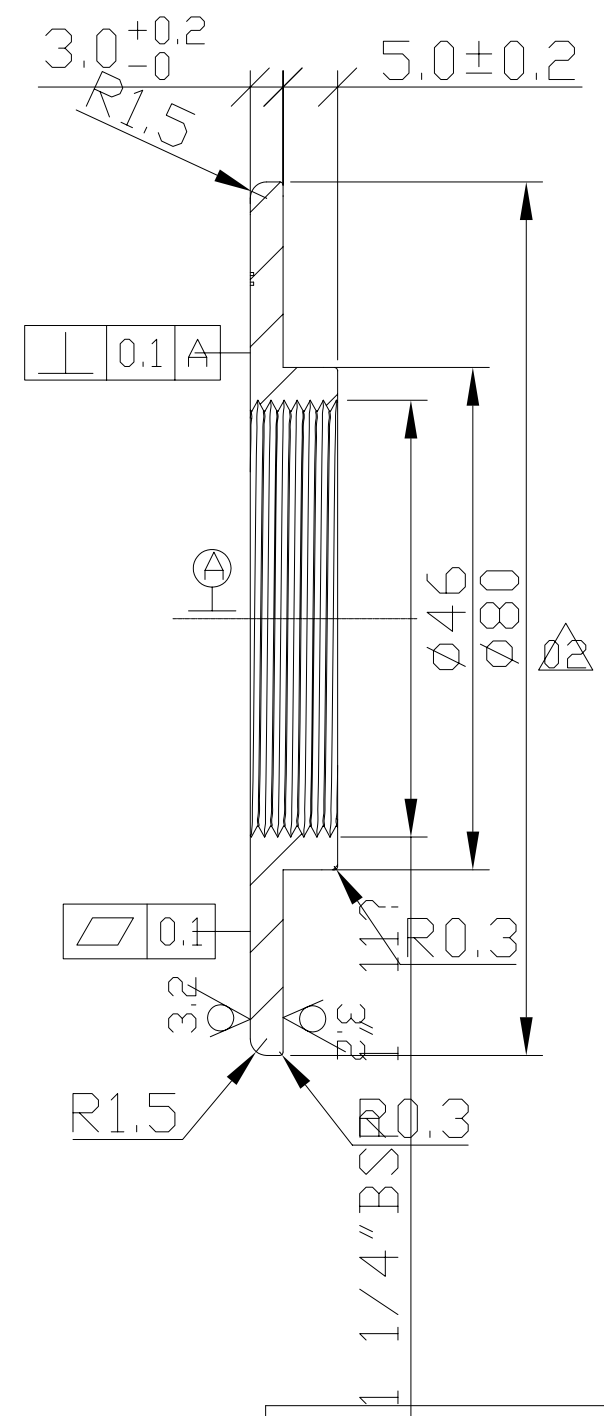
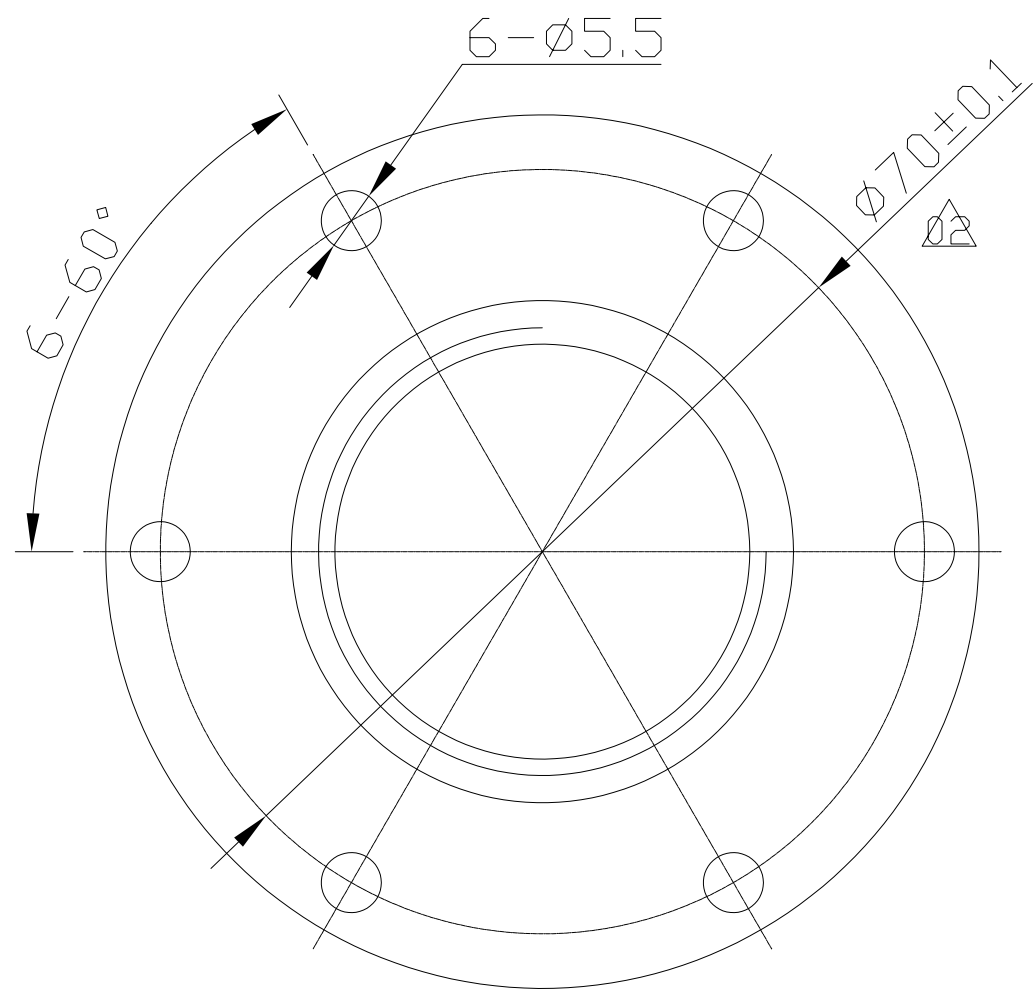


issue date	change-ch.note	draw
02 2005.05.30	02	CARL
03		
04		



PROJECT: S3H		MATERIAL: SUS316	
TOLERANCE: ISO 2768 m	SURFACE ROUGHNESS: $R_a = 3.2$	PRDJ.	SCALE: 1:1
DATE	Name	flange	
DRAW. 05.01.26	???		
CHECK			
STAND		DRAWING NO, ART. NO./REF: J-SM0013	
WEMA CHINA		ISSUE: 02	
ORIGIN	REPLAC. FOR:	PAGE:	
	REPLAC. OF:		